

LEGEND

17/10/2024
22/10/2024
28/10/2024

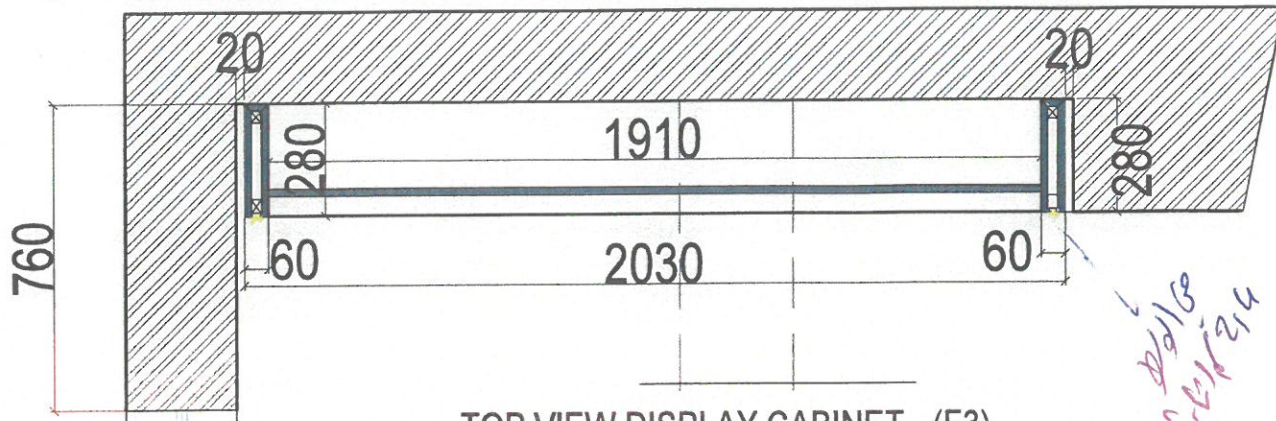
For Approval

Project No. : ##-##-##
Scale : A3 = ##
Drawn by : P.lbe
Checked : Samir Barder
Cad File : CAD File

Sheet title
PLAN - FRONT VIEW
Shop Drawing

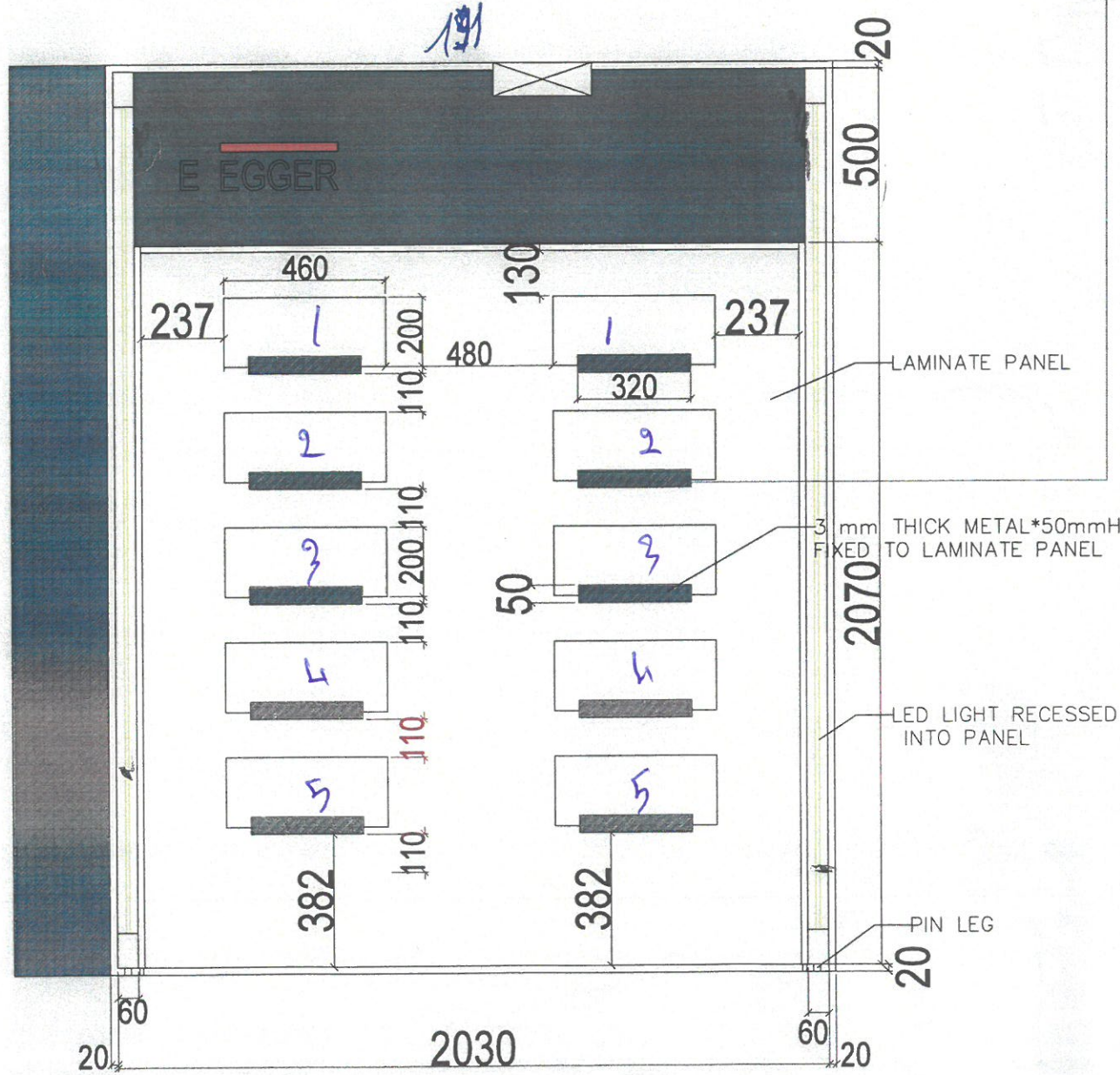
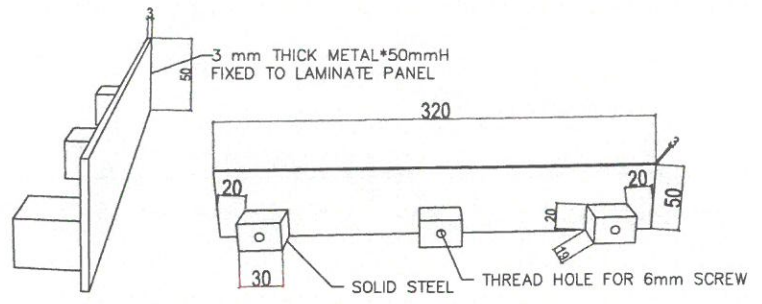
F4

Dwg No. WS-DS-SD-EG-008
No. 1

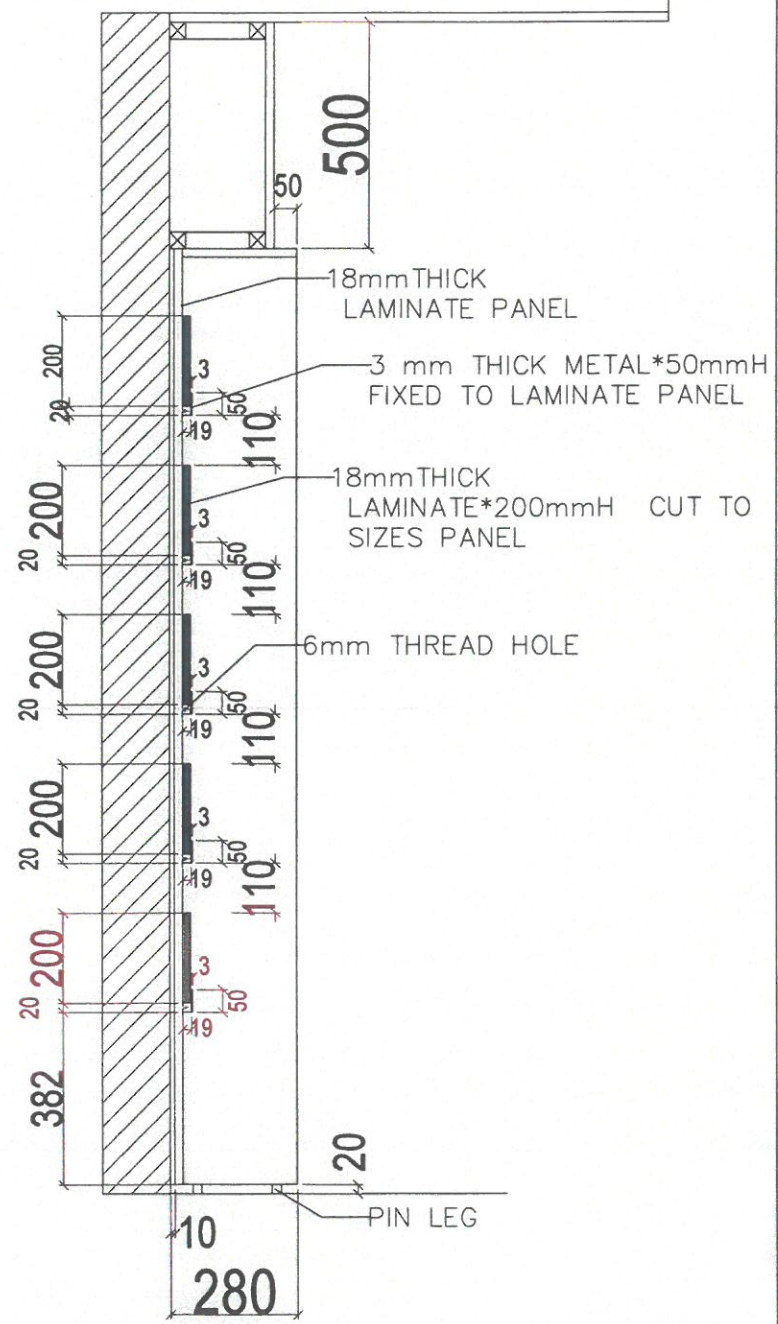


TOP VIEW-DISPLAY CABINET - (F3)

Handwritten notes:
 20/10/24
 21/10/24



FRONT VIEW-DISPLAY CABINET - (F3)



SECTION- (F3)



www.wood-styles.com
 Copyright of designs shown herein is retained by this office. Authority is required for any reproduction. © Copyright Wood-styles Ltd.
 Nigeria, Lagos +234 80 9037 9888
 Email: info@wood-styles.com

Project
 EGGER SHOWROOM
 NG-Lagos-V/ISLAND
 Owner

LEGEND	
17/10/2024	
22/10/2024	
28/10/2024	

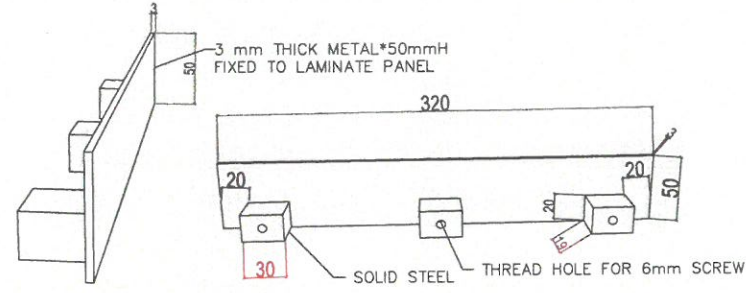
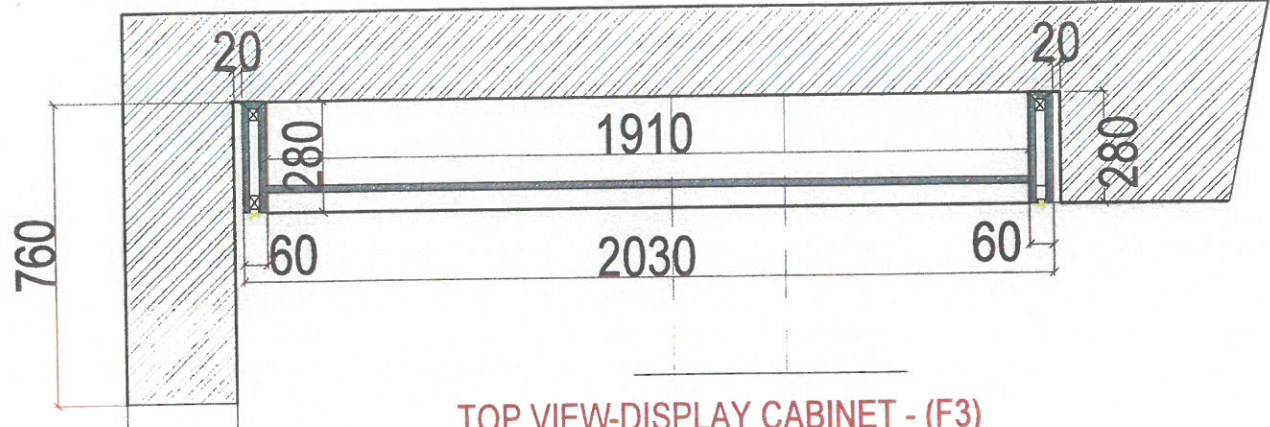
For Approval

Project No. : ##-##-##
 Scale : A3 = ##
 Drawn by : P.lbe
 Checked : Samir Bardar
 Cad File : CAD File

Sheet title
 PLAN - FRONT VIEW
 Shop Drawing

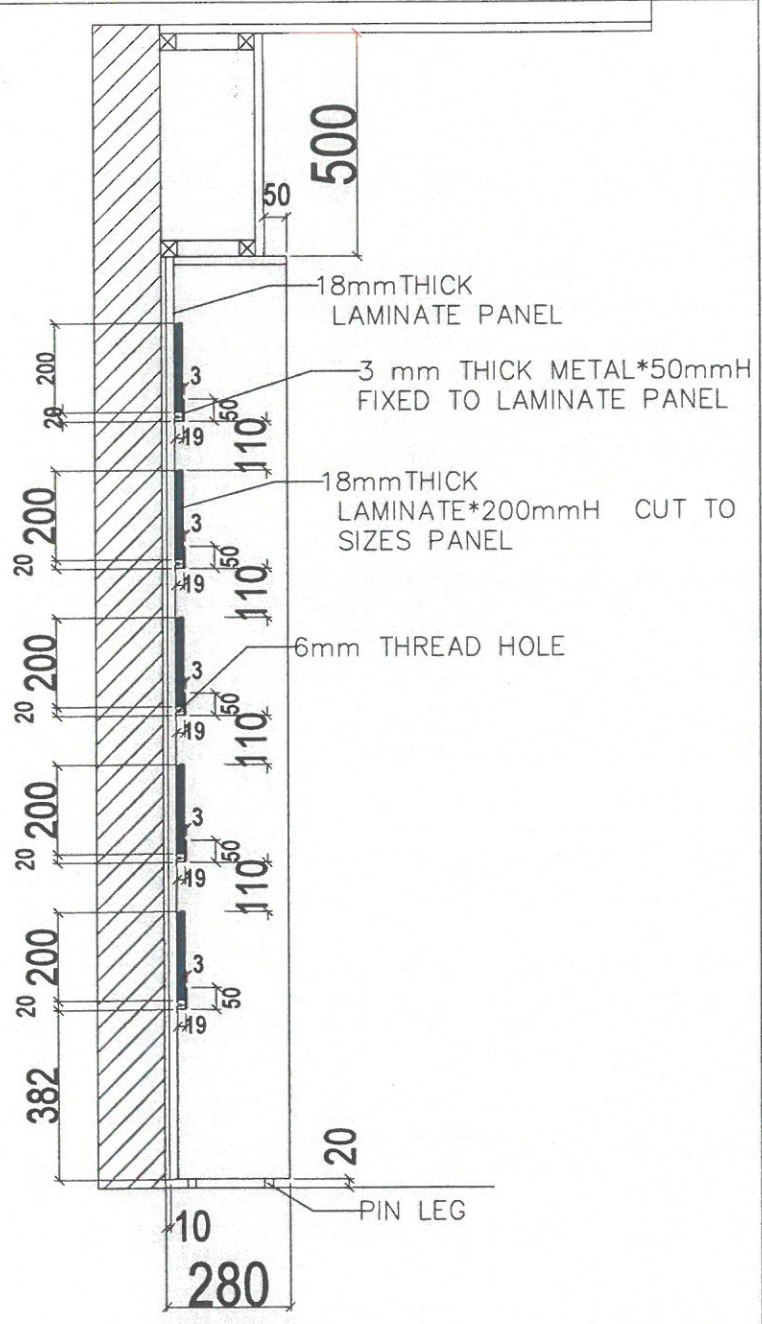
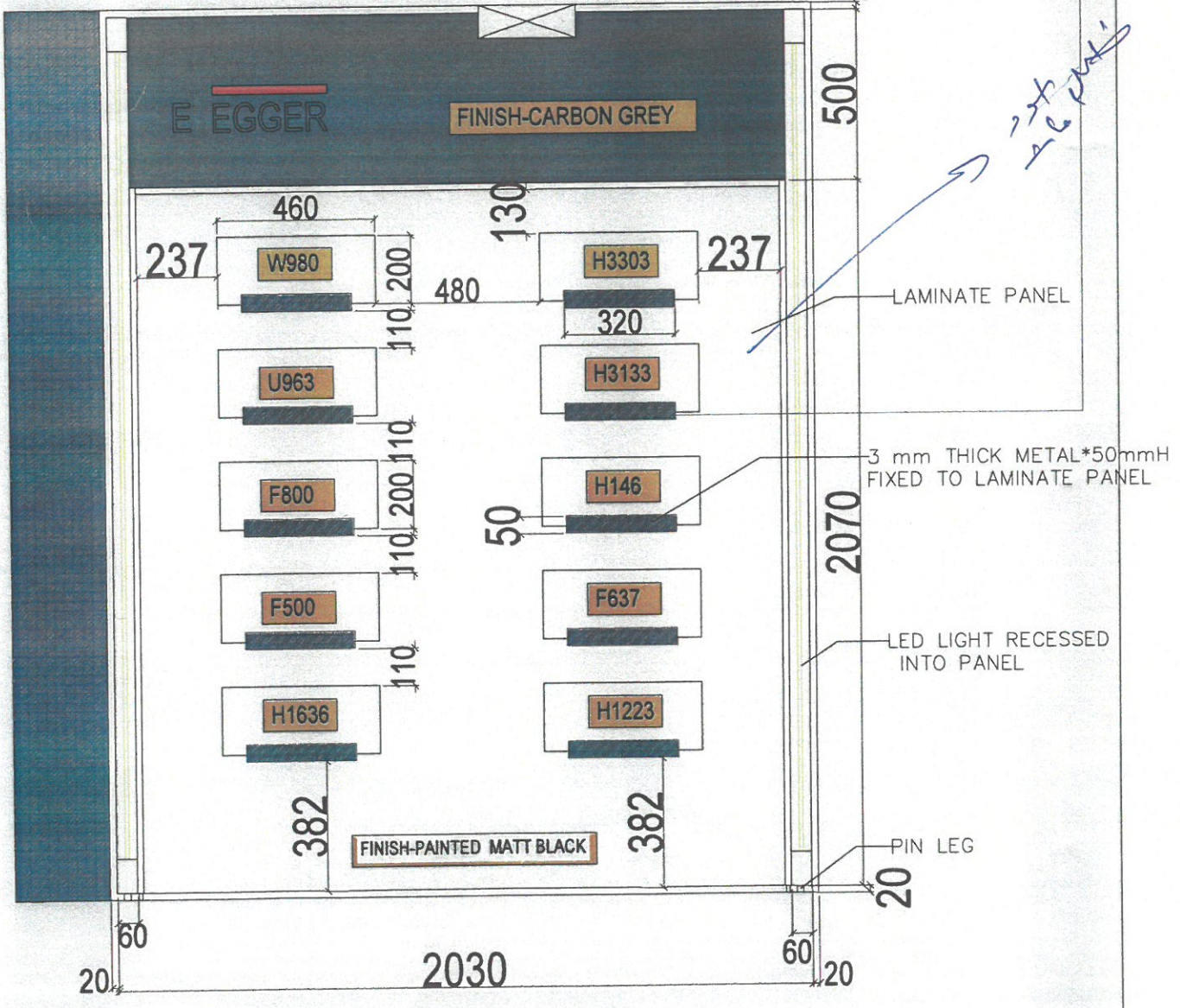
F3

Dwg No. WS-DS-SD-EG-007 No. **1**



METAL BY RADICO

FRONT VIEW-DISPLAY CABINET - (F3)

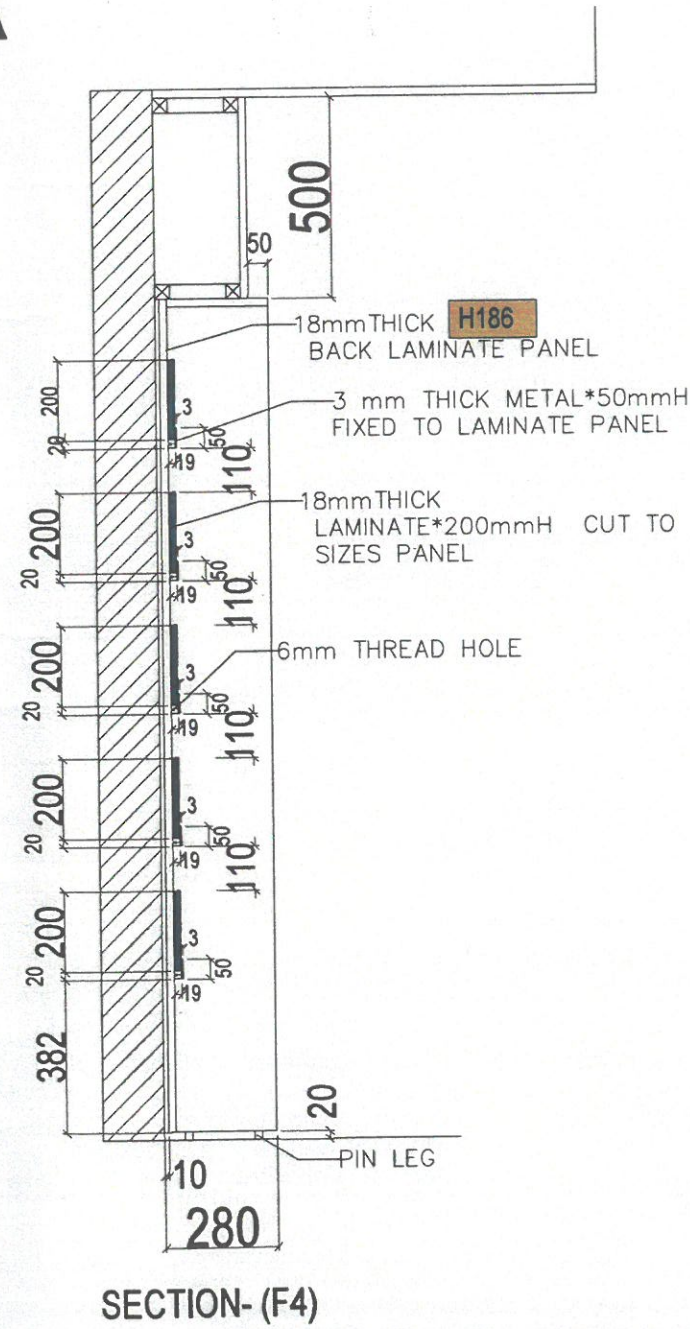
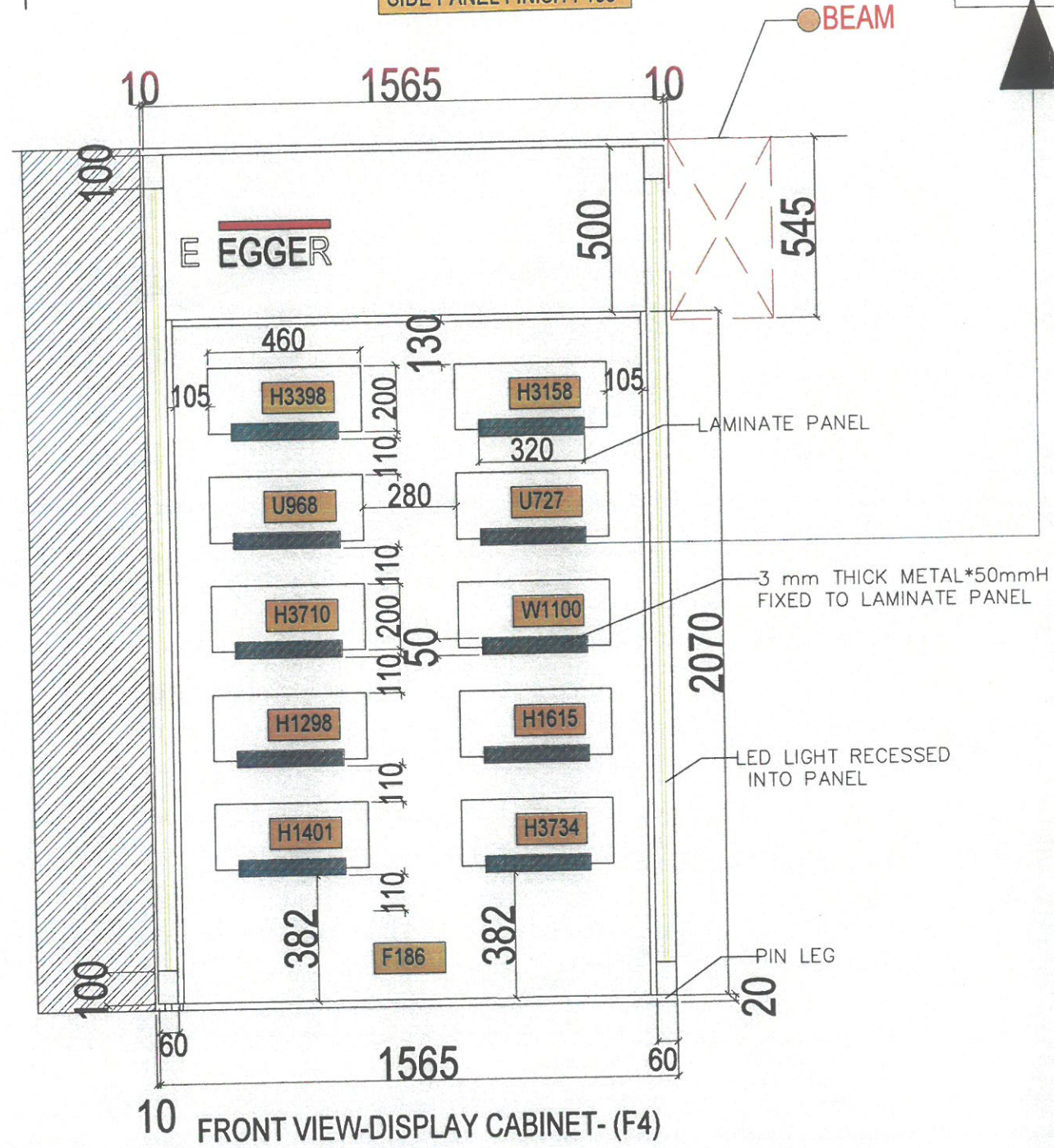
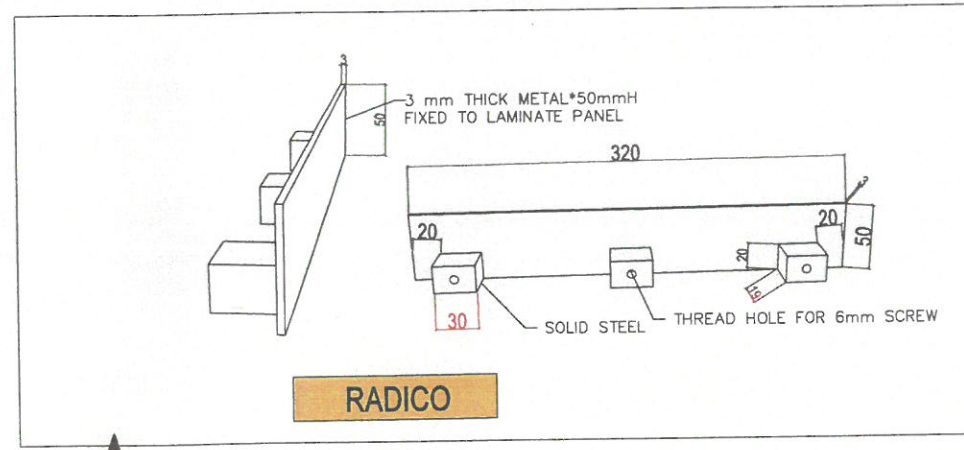
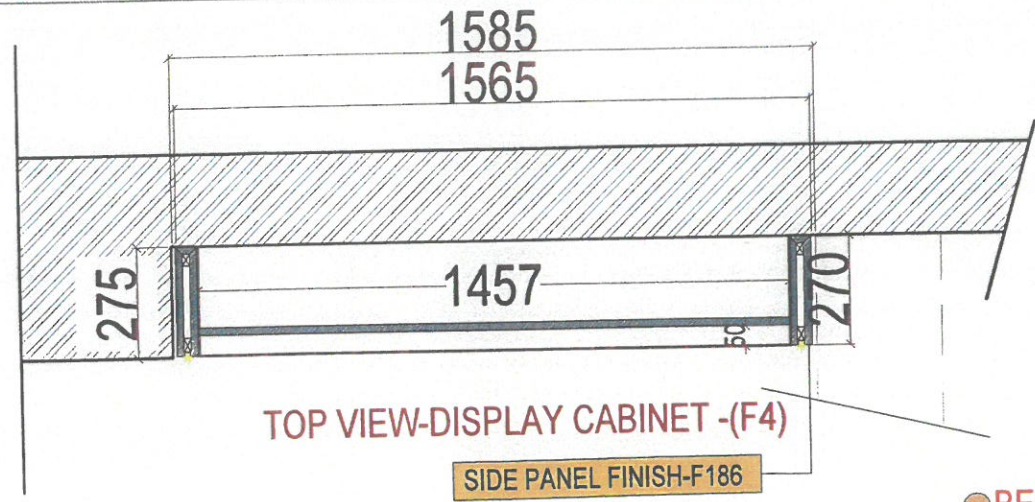


For Approval

Project No. : ##-###-###
Scale : A3 = ###
Drawn by : P.Be
Checked : Samir Bardar
Cad File : CAD File

Sheet title
**PLAN - FRONT VIEW
Shop Drawing
F3**

Dwg No. **WS-DS-SD-EG-007** No. **1**



LEGEND

17/10/2024
22/10/2024
28/10/2024
29/11/2024
07/12/2024

For Approval

Project No. : ##-##-##
Scale : A3 = ##
Drawn by : P.lbe
Checked : Samir Barder
Cad File : CAD File

Sheet title
PLAN - FRONT VIEW
Shop Drawing
F4

Dwg No. No.
WS-DS-SD-EG-008 1